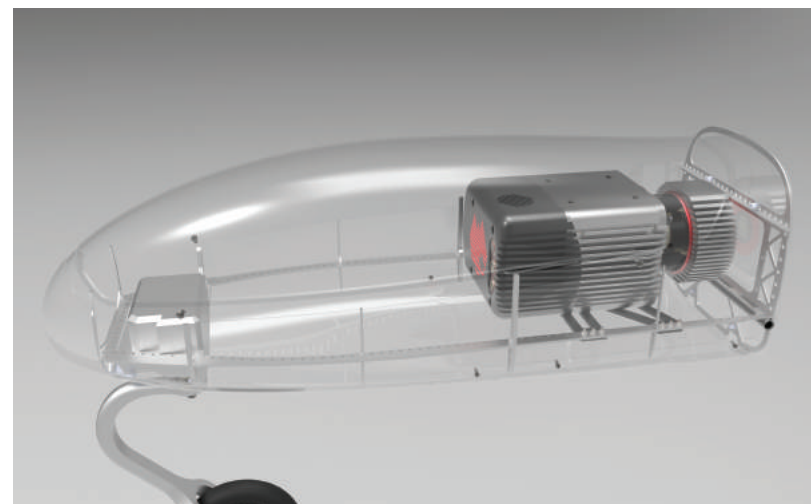




**LS Micro Vux CE + VTOL** is the lightest generation Long Rang LIDAR solution, a product suitable for both large area corridor and area mapping. Based on the Riegl VUX-1LR, survey grade IMU, and a 50mp calibrated camera fully integrated into the UKR VTOL UAS. It can be operated at higher altitudes and covers more area then ever before.

**LS Micro Vux CE + VTOL** Automatically collects highly accurate laser and image data via its onboard system controller. It can produce DOMs, DEMs, DSMs and DTMs which may be further processed to produce 3D models for various industries.



## Typical Applications

Powerline inspection/danger tree analysis.  
River bank & coastal lines mapping.  
Water resources monitoring.  
Quick response mud slide analysis.  
Disaster management.  
Other 3D data applications.

Perfect configuration for large area and corridor mapping!

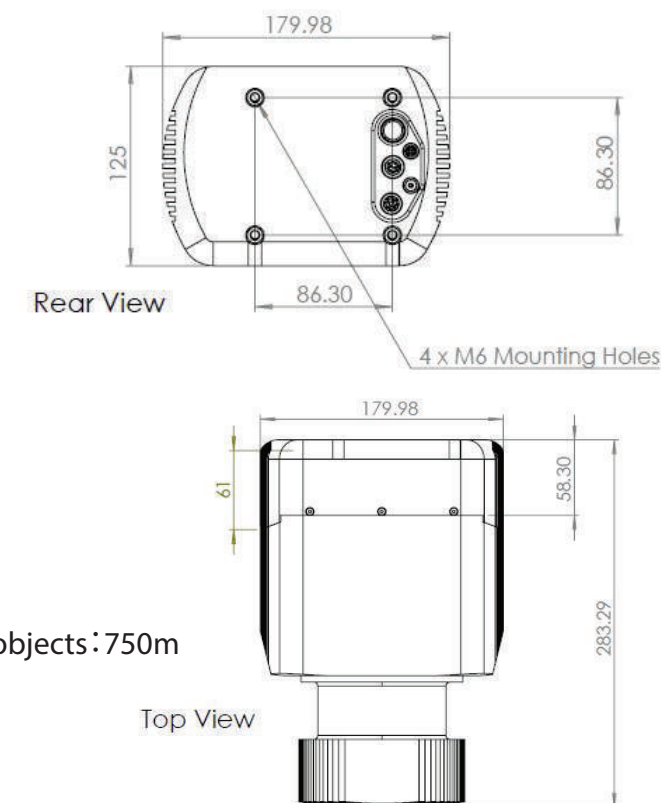
## Features LIDAR

- 820khz Pulse rate
- 330 deg FOV
- 1-200hz scan rate
- Stim 300 IMU
- 50mp calibrated camera
- Rugged system controller
- Autonomous operation
- One button startup
- Weights 4.8kg
- Fits medium size pelican case
- Operating range 1350m
- Up to 400pts/m<sup>2</sup>
- Installation in minutes



## Specification LIDAR

Item	Specification
Laser class	1 class, eye safe
Wave lenth	Near Infrared
Laser beam divergence angle	0.5 mrad
Scanning range	5m to 1350m
Scanning angle	User selectable to 330deg
Pulse rate	820KHz
Point desity	Up to 400+pts/m <sup>2</sup>
Scanning mechanism	Rotating mirror
Pitch/Roll accuracy	0.006 deg
Heading accuracy	0.019 deg
Recording media	Win 10 system controller
Storage capacity	256Gb
Single scanning swath	Up to 1350m
Image dimension	50 MP
Effective operating range	Conductors : 150m/other objects : 750m
Voltage	12 - 30V
Power consumption	85W (Max.)
Dimension (LxWxH)	28.5cm x 18cm x 12.5cm
Weight	4.3kg incl. ca
Working temperature	0 C to 40 C
Storage temprature	0 C to 50 C



## UKR SPEC System VTOL Specification

Endurance	6 hours including integrated LS Micro Vux LR
Service ceiling	3000m ASL
MTOW	50KG
Range	Encrypted datalink upto 85km VLOS
Wing-span	5m
Operation specs	Full autonomous take of and landing, mission flight